


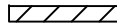
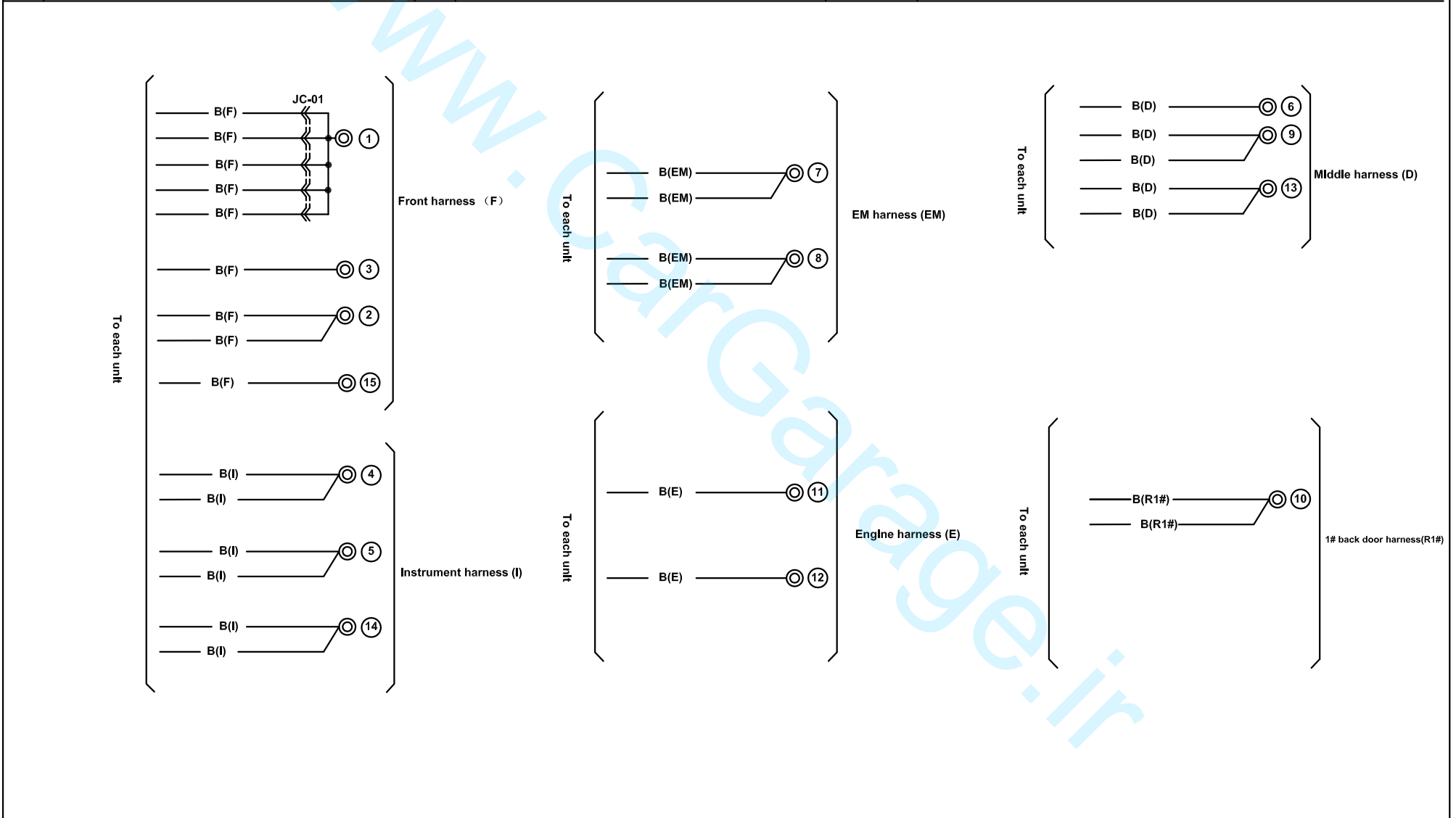
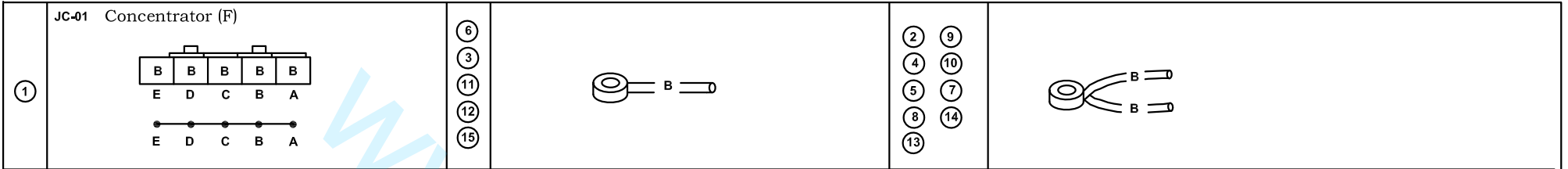


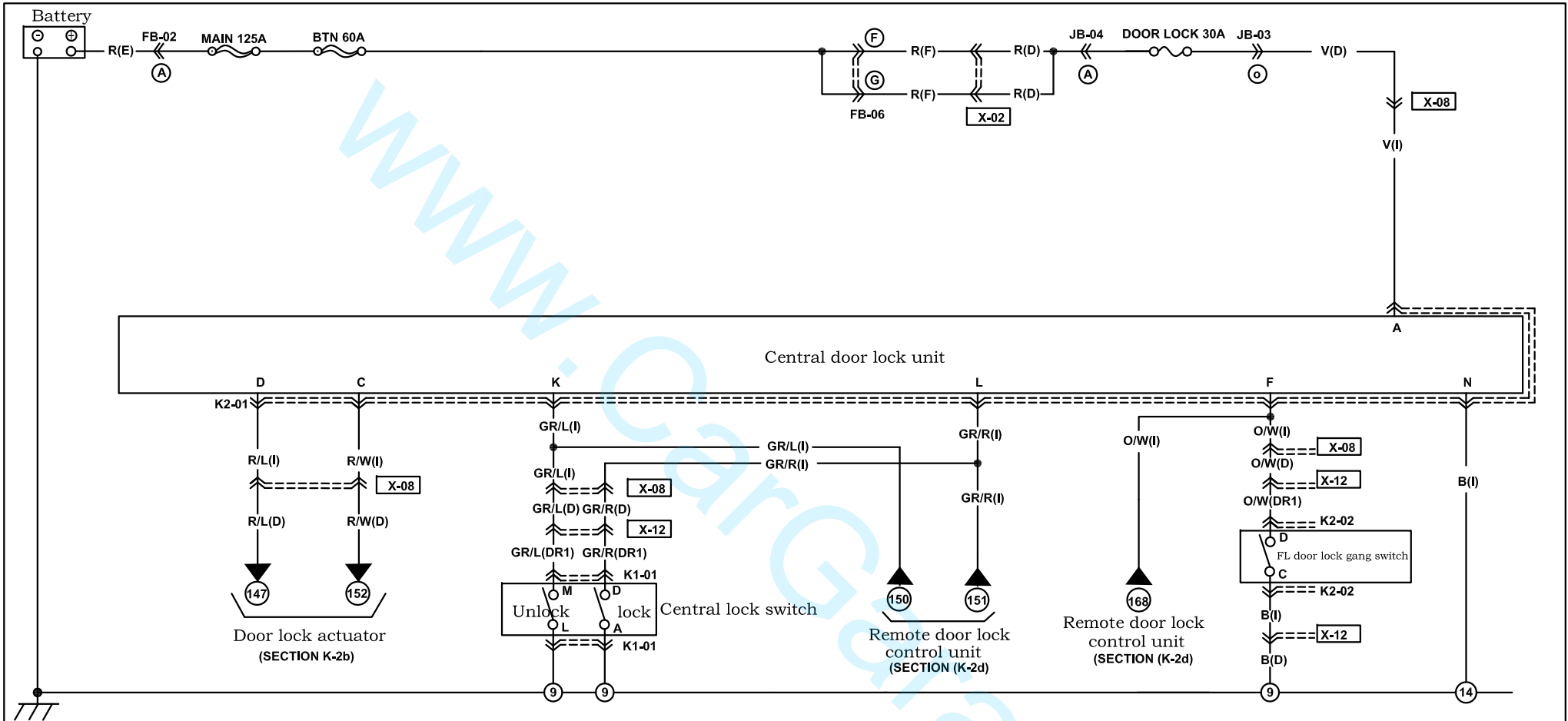
کد رنگ سیم ها

| Color      | Code | Color       | Code |
|------------|------|-------------|------|
| Black      | B    | Light Green | LG   |
| Brown      | BR   | Orange      | O    |
| Dark blue  | DL   | Pink        | P    |
| Dark Green | DG   | Red         | R    |
| Gray       | GR   | Sky Blue    | SB   |
| Green      | G    | Violet      | V    |
| Light blue | LB   | White       | W    |
| Blue       | L    | Yellow      | Y    |

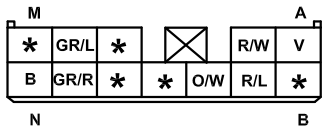
## نماد

| Name                     | Symbol   | Name                    | Symbol |
|--------------------------|--|-------------------------|--------|
| Front harness            | F  | Grounding harness       | EA     |
| Engjne harness           | E  | Interior harness        | IN     |
| EM harness               | EM   | Reversing radar harness | RA     |
| Middle harness           | D  | 2# Back door harness    | R2#    |
| Rear harness             | R  | 1# Back door harness    | R1#    |
| Front left door harness  | DR1  |                         |        |
| Front right door harness | DR2  |                         |        |
| Rear left door harness   | DR3  |                         |        |
| Rear right door harness  | DR4  |                         |        |
| Instrument harness       | I  |                         |        |

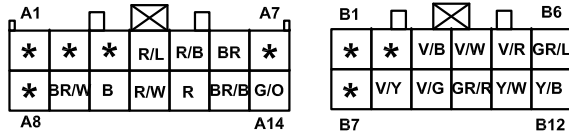




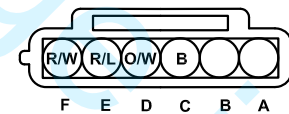
K2-01 Central door lock unit (D)



K1-01 Power window main switch (DR1)

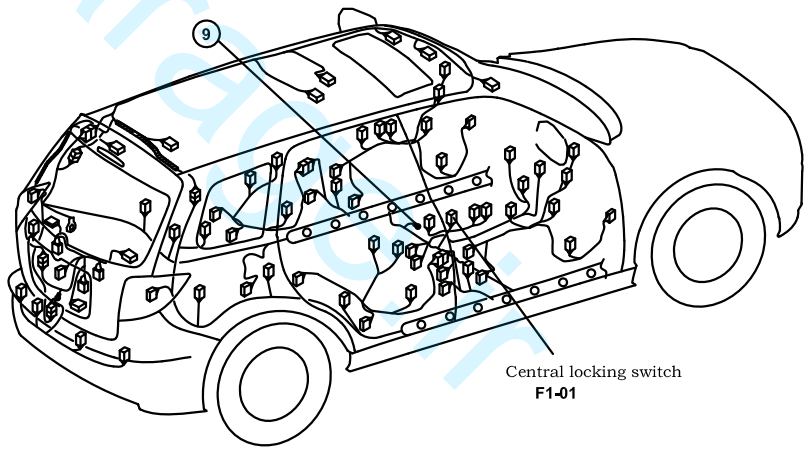
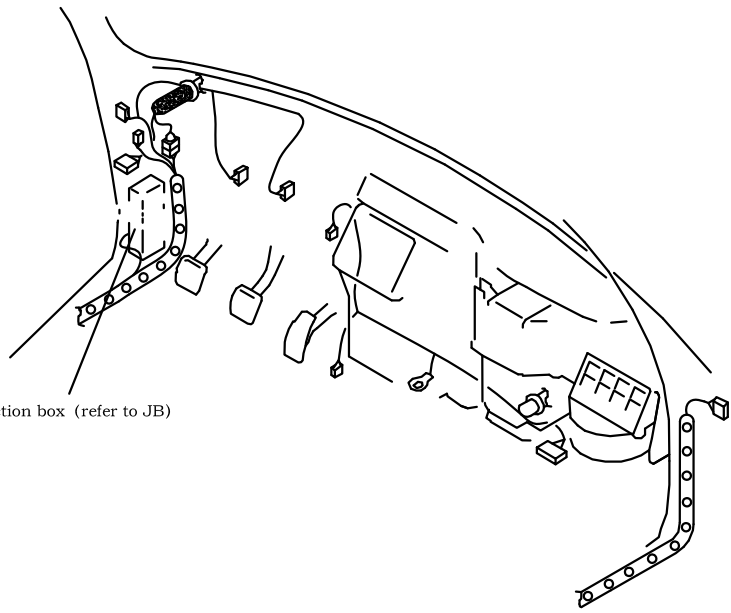
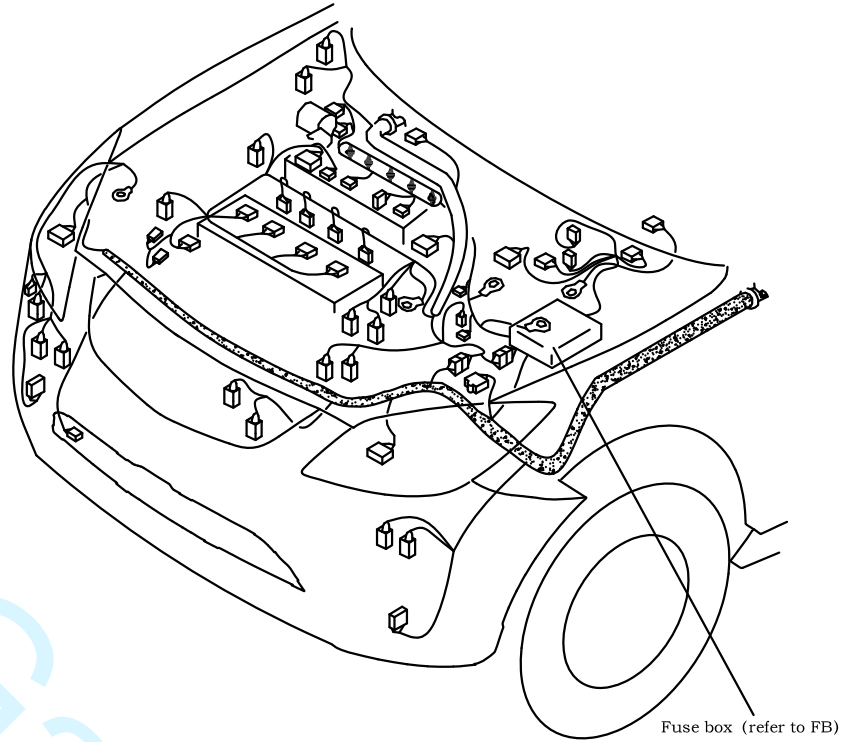
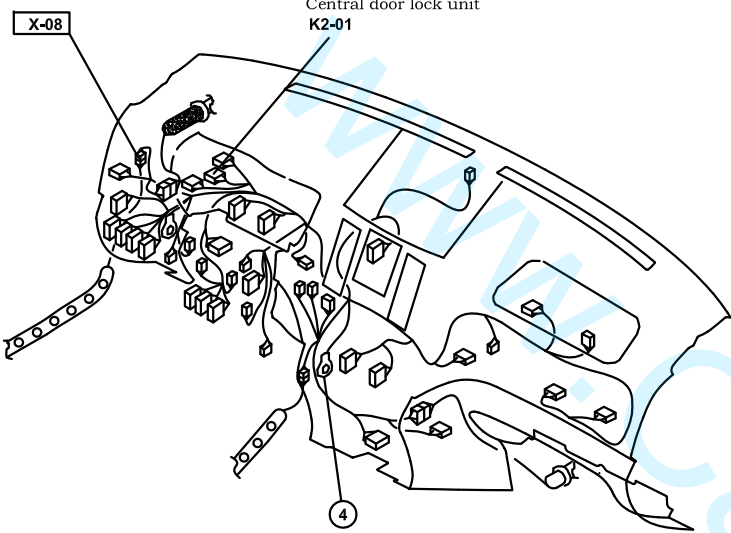


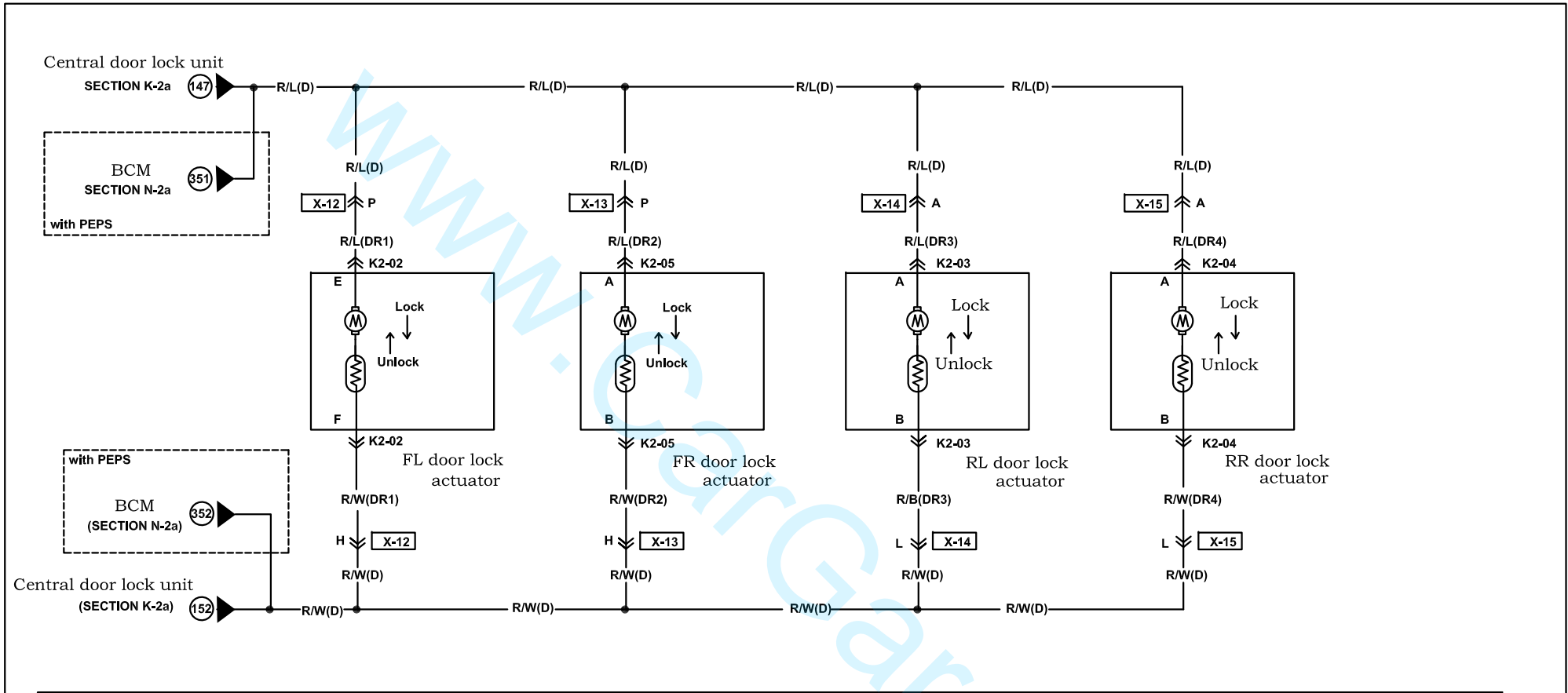
K2-02 FL door lock actuator (DR1)



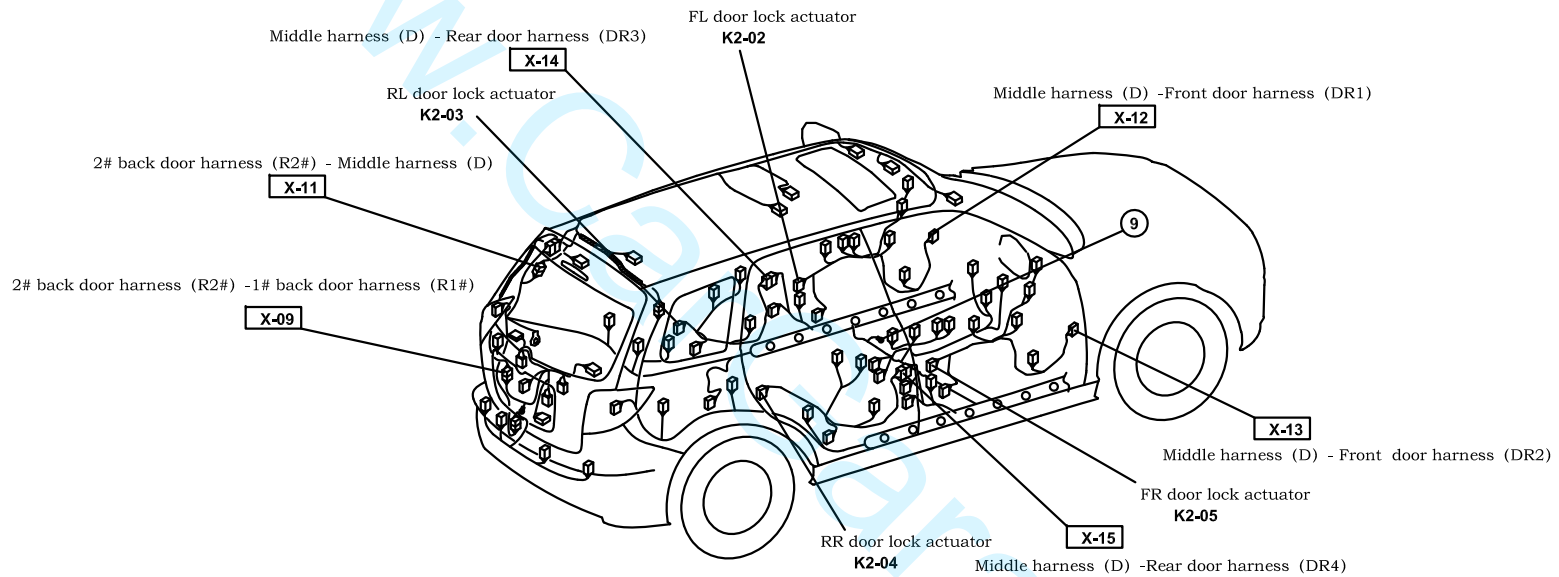
Harness mark:  (F)  (E)  (D)  (R)

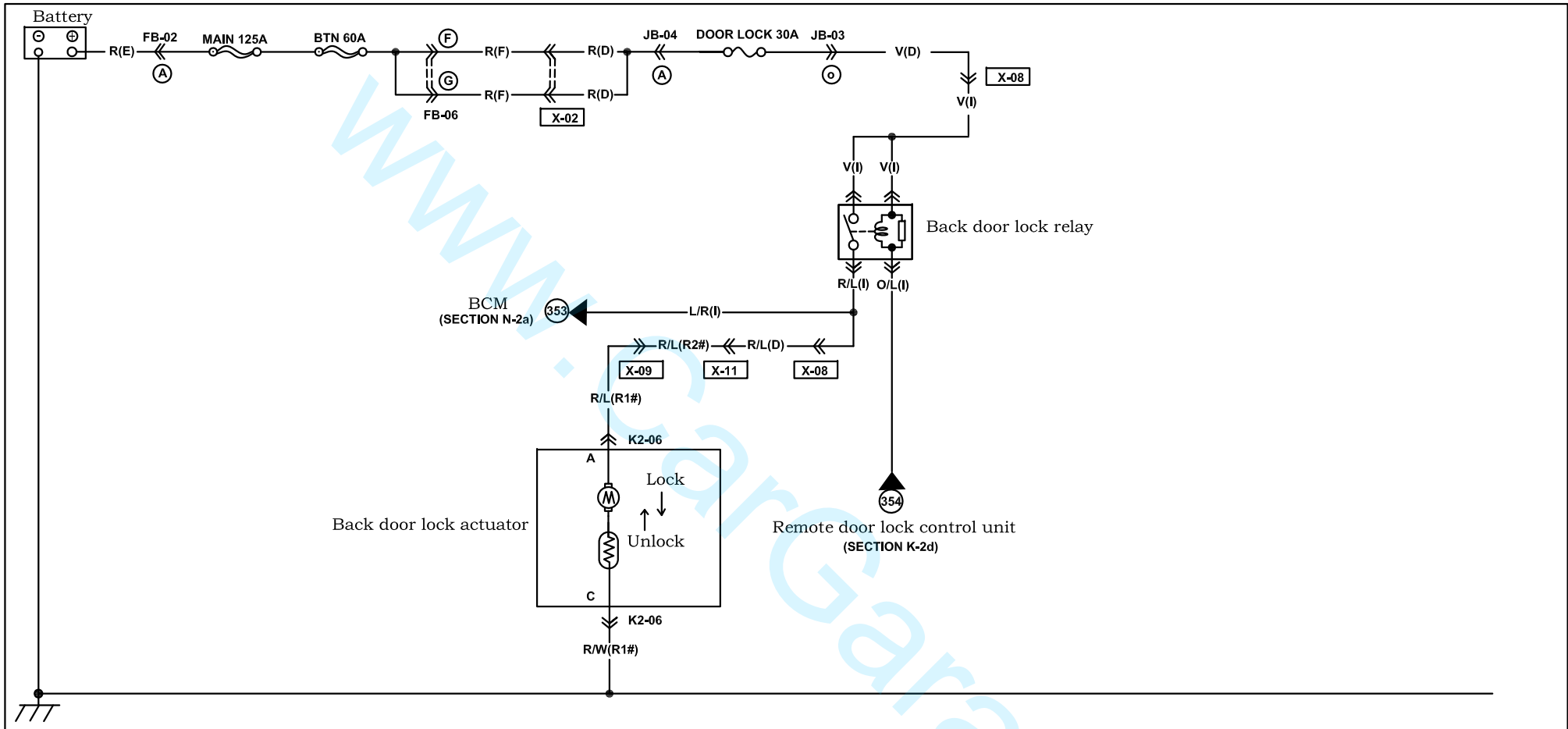
Middle harness (D) - Instrument harness (I)





|   |  |  |  |  |
|---|--|--|--|--|
| <p><b>K2-02</b> FL door lock actuator (DR1)</p> | <p><b>K2-04</b> RR door lock actuator (DR4)</p>              |  |  |  |
| <p><b>K2-03</b> RL door lock actuator (DR3)</p> | <p><b>K2-05</b> FR door lock actuator (DR2) \$ with PEPS</p> |  |  |  |





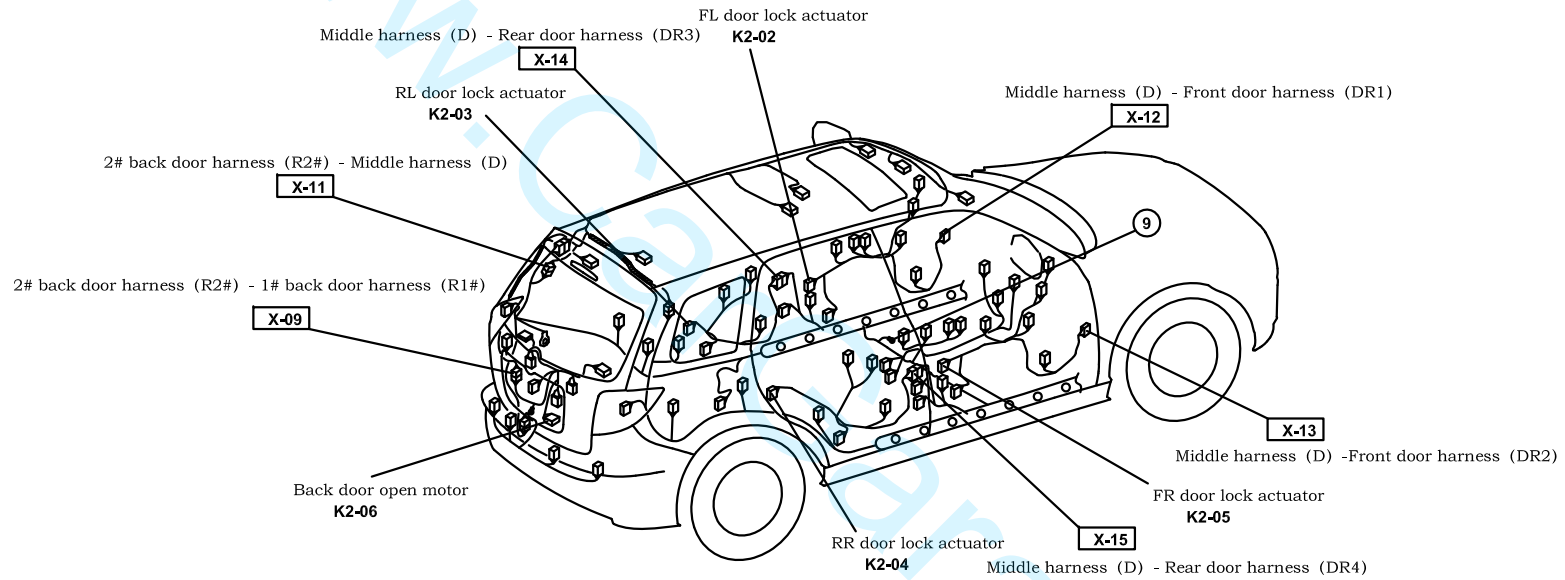
K2-06 Back door open motor (R1#)

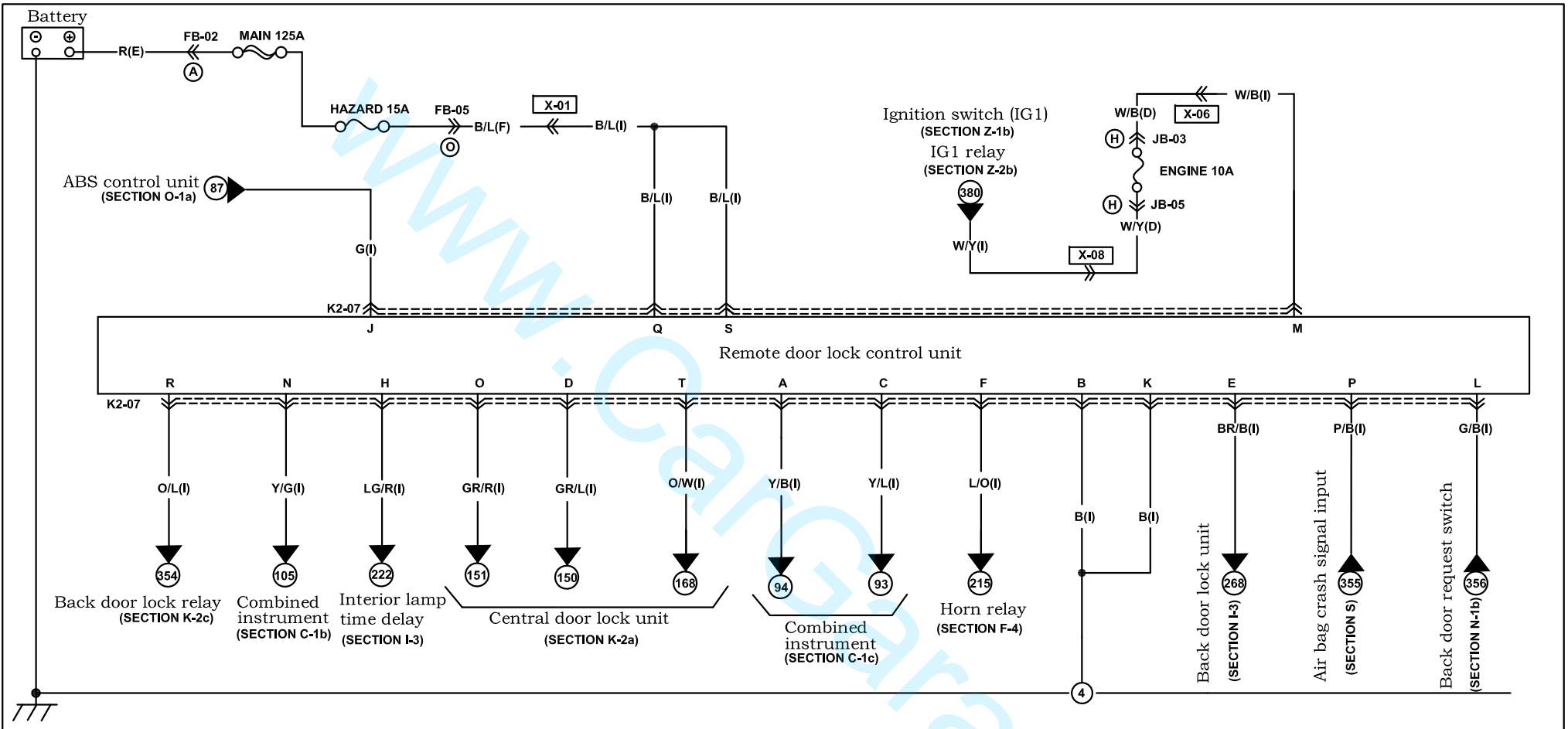
|   |   |     |   |   |
|---|---|-----|---|---|
| E | D | C   | B | A |
| * | * | L/R | * | B |

|  |  |  |  |  |  |
|--|--|--|--|--|--|
|  |  |  |  |  |  |
|  |  |  |  |  |  |





Harness mark:  (F)  (E)  (D)  (R)



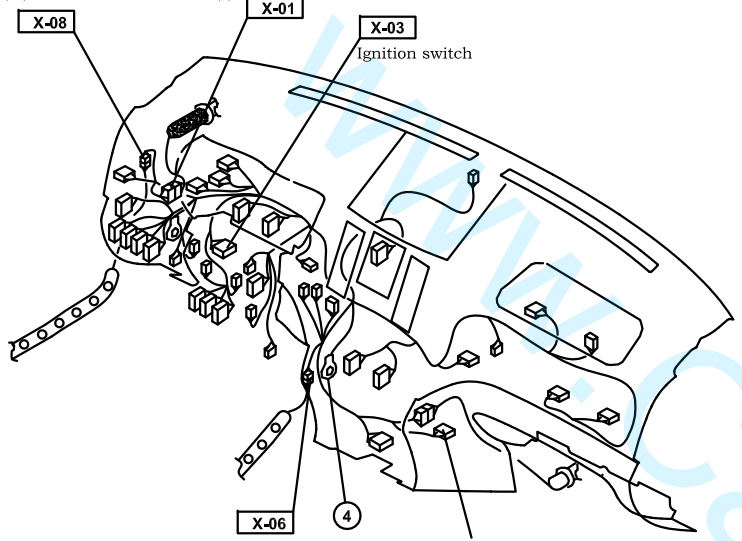


**K2-07 Remote door lock control unit (I)**

|     |     |      |     |     |   |      |      |      |     |
|-----|-----|------|-----|-----|---|------|------|------|-----|
| S   | Q   | O    | M   | K   | I | G    | E    | C    | A   |
| B/L | B/L | GR/R | W/B | B   | * | *    | BR/B | Y/L  | Y/B |
| O/W | O/L | P/B  | Y/G | G/B | G | LG/R | L/O  | GR/L | B   |
| T   | R   | P    | N   | L   | J | H    | F    | D    | B   |

Harness mark:  (F)  (E)  (D)  (R)

Middle harness (D) - Instrument harness (I)      Front harness (F) - Instrument harness (I)



Middle harness (D) - Instrument harness (I)

Remote door lock control unit  
K2-07

